

The
I N S P I R E
COLLECTION



A range of stunning gas fires for your home

 **valor**centre

Contents

Inspire 400 Stove M	6
Inspire 400 Stove L	8
Inspire 400	10
Inspire 400 Atalanta Suite	12
Inspire 400 Vicenza Suite	14
Inspire 500	16
Inspire 500 Palermo Suite	18
Inspire 500 Vicenza Suite	20
Inspire 600	22
Inspire 600 Napoli Suite	24
Inspire 600 Verona Suite	26
Inspire 800	28
Inspire 800 Abruzzo Suite	30
Inspire 800 Messina Suite	32
Inspire 1000 Fireslide	34
Inspire 1000 Remote	36
Design Versatility - Your Choices	38
Burners Explained	39
Surround Dimensions	40
Trim Dimensions	42
Technical Chart	43



Discover Inspire

Inspire brings a sense of style, quality and prestige to your living space. Combining design inspiration with innovative performance features and easy servicing, Inspire is the perfect fire for your home.

Inspire delivers quality, versatility and all the atmosphere of a standout, warming feature fire in your living room. And all this from a brand you can trust, with a proud heritage of more than 60 years' experience manufacturing gas fires for the home.



Why Inspire?



Design versatility

Create your perfect fire by choosing from a long list of design options with the Inspire Collection. Depending on the model, you can choose from different trims, liners, glass frame colours, glass and fuel beds.

The 400, 500, 600 & 800 models also come with a choice of two suites for each model. Inspire fires (excluding 400 model) can even be purchased with a frameless kit which requires no trim.

The options available will vary according to model, so please see individual product pages for details



Highest standards guaranteed

All Valor fires are designed, manufactured and tested to the highest standards, to ensure the quality and safety of the products we sell. As part of the multi-national Glen Dimplex Heating & Ventilation division, our products are developed in state-of-the-art research and design facilities, incorporating the very latest in home heating technologies.

As a result, you can have confidence that you are buying from a leading brand that you can trust – backed by more than 60 years of proud history.



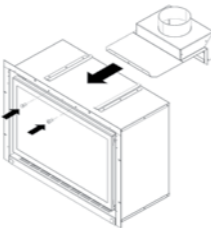
Flexible flame picture for improved efficiency

With Valor's unique Dual burner, available on the 600, 800 & 1000 models, you also have greater control over your heat output, being able to reduce it down to 34% when the full flame is not required (typically a conventional burner can be turned down to 60% of output), giving you maximum comfort and complete control.



State-of-the-art control options

All models in the Inspire Collection come with a choice of Fireslide or remote control. Valor's unique Fireslide control lets you easily adjust the flames output with a simple control. For the ultimate in convenience, there is also the option of an advanced remote control (see page 38 for more details).



Flexible installation

For added flexibility of installation, a gather hood connector kit, designed exclusively for all Inspire fires (excluding stoves), allows the fire to connect to a flexible flue system. Even servicing is made easy, thanks to the way in which the entire burner assembly slides out.



High efficiency

Our dedicated research and development facilities combine the latest technology with innovative techniques to ensure our products offer the highest possible efficiency. For example, all fires in the Inspire range are glass fronted so this helps you to consume less energy and keep running costs to a minimum.



Best of both worlds

Gas fires deliver two types of heat – radiant and convected. Radiant heat warms people and not the air, offering instantaneous localised heat. Convected heat works by pulling cold air through the bottom of the fire and passing it over the flames pushing hot air into the room. This means that a gas fire can offer you the best of both worlds – the cosy instant warmth of an open fire as well as generally heating the room.

Trusted retailer network

Talk to your local **Valor Inspire Retailer**, one of many in our trusted retailer network.

We aim to make owning a Valor Inspire fire a truly enjoyable experience, so our trusted Valor Inspire Retailers provide the highest level of knowledge and experience. Their job advising you begins when you start your search for a fire.

Whether it's a simple replacement or you're starting your search from scratch, we know that making your purchase decision can sometimes be a confusing and daunting experience. It needn't be. That's why we're here to take out the hassle and demystify all the technical information that comes with it – come to us and all you need to do is choose a beautiful Inspire fire which will light up your room and give you the cosy ambience you've always wanted for your home.

Visit your local independent Valor Inspire Retailer and we'll make a promise to you:

1. Choose your dream Inspire fire from one of the many live Valor displays we have in-store – seeing is believing
2. Receive **trusted advice and recommendation** from an industry expert to find a fire tailored to you



Valor Centre 3 Year Guarantee

When you purchase a Valor fire you do so with the utmost confidence that it will serve you for many years to come. Such is the confidence in our products, that when you purchase a Valor fire from a Valor Centre retailer, you are entitled to a free upgrade from our standard 1-year guarantee to a 3-year guarantee. To take advantage of this, simply complete the online registration within 28 days of purchase at www.valor.co.uk/register, or call us on **0344 879 3588** if you do not have access to the internet. Products must be installed in accordance with the manufacturer's instructions and maintained in line with the Terms & Conditions, which includes an annual service. For full terms and conditions visit www.valor.co.uk/terms. To find your nearest Valor Centre, please visit www.valor.co.uk/find-a-retailer.

3. Have your fire **installed by safety assured professionals**
4. **Extended 3 year guarantee**, exclusive to Valor Inspire Retailers, gives you peace of mind your fire will serve you for many years*
5. We'll be on hand to provide advice and **back-up support** as part of an annual service agreement

*One year as standard, two additional years upon registration. See below for full details.

Visit our website to find your local trusted Valor Inspire Retailer

www.valor.co.uk/mylocalretailer

Relax and enjoy the cosy ambience of your Valor Inspire fire knowing it's been supplied and installed by professionals to the very highest standards.





Inspire 400 Fireslide Luminaire Medium Stove with vermiculite liner

Inspire 400 Medium Stove



Product features and benefits

- Max heat output 4.0kW
- Min heat output 1.1kW
- 84.5% efficiency
- Remote or Fireslide control
- Luminaire LED electric underbed glow, creating the illusion of burning embers for a warming glow that can be enjoyed with or without heat
- Radiant & convected heat
- Choice of liner options
- Natural gas
- Choice of standard or Clear Vision anti-reflective glass
- Top flue only (flue not supplied)



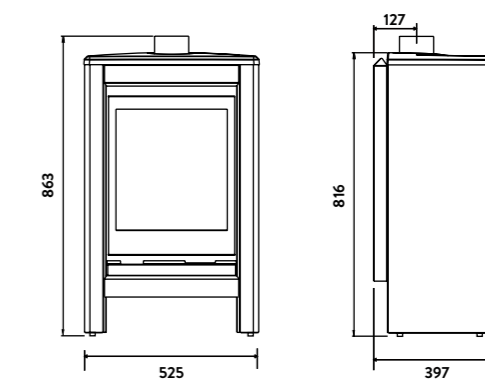
Fireslide control black



Remote control



Luminaire electric underbed glow



Inspire 400 Large Stove



Product features and benefits

- Max heat output 4.0kW
- Min heat output 1.1kW
- 84.5% efficiency
- Remote or Fireslide control
- Luminaire LED electric underbed glow, creating the illusion of burning embers for a warming glow that can be enjoyed with or without heat
- Radiant & convected heat
- Choice of liner options
- Natural gas
- Choice of standard or Clear Vision anti-reflective glass
- Top flue only (flue not supplied)



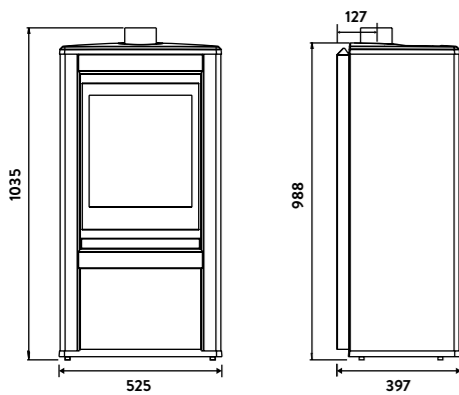
Fireslide control chrome



Remote control



Luminaire electric underbed glow



Inspire 400 Fireslide Luminaire Large Stove with vermiculite liner



Inspire 400 Fireslide Luminaire with grande trim in anthracite and mirrored liner

Inspire 400



Product features and benefits

- Max heat output 4.0kW
- Min heat output 1.1kW
- 84.5% efficiency
- Remote or Fireslide control
- Luminaire LED electric underbed glow, creating the illusion of burning embers for a warming glow that can be enjoyed with or without heat
- Radiant & convected heat
- Can be fitted into wall or as part of suite
- Choice of liner & trim options
- Natural gas
- Choice of standard or Clear Vision anti-reflective glass



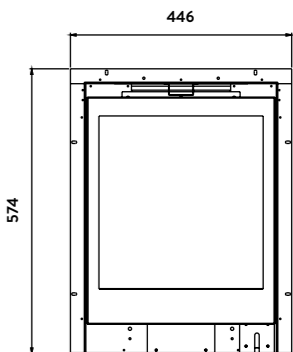
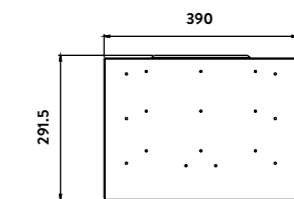
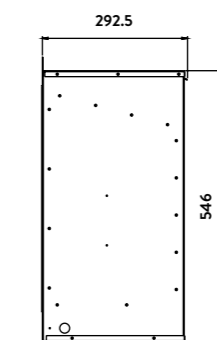
Fireslide control black



Remote control



Luminaire electric underbed glow



Inspire 400 Atalanta Suite



Product features and benefits

- 48" Turkish limestone suite
- Max heat output 4.0kW
- Min heat output 1.1kW
- 84.5% efficiency
- Remote or Fireslide control
- Radiant & convected heat
- Choice of liner & trim options
- Natural gas
- Luminaire LED electric underbed glow, creating the illusion of burning embers for a warming glow that can be enjoyed with or without heat
- Choice of standard or Clear Vision anti-reflective glass

Note: The Inspire 400 gas fire can only be hearth mounted with the Atalanta suite



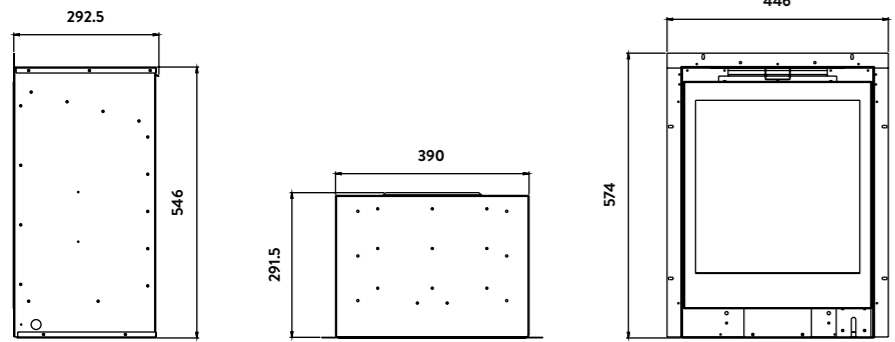
Fireslide control chrome



Remote control



Luminaire electric underbed glow



Inspire 400 Fireslide Luminaire Atalanta suite with 3-sided edge trim in chrome and black liner



Inspire 400 Fireslide Luminaire Vicenza suite with 4-sided grande trim in black and vermiculite liner

Inspire 400 Vicenza Suite



Product features and benefits

- 45" Portuguese limestone suite
- Max heat output 4.0kW
- Min heat output 1.1kW
- 84.5% efficiency
- Remote or Fireslide control
- Radiant & convected heat
- Choice of liner & trim options
- Luminaire LED electric underbed glow, creating the illusion of burning embers for a warming glow that can be enjoyed with or without heat
- Natural gas
- Choice of standard or Clear Vision anti-reflective glass



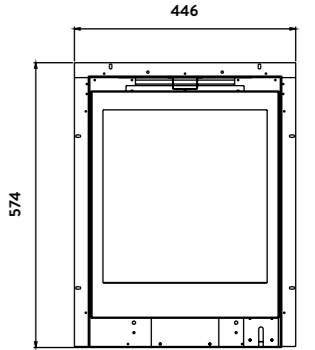
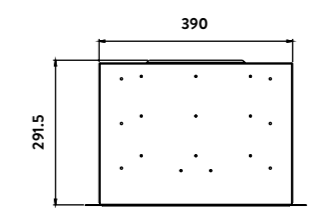
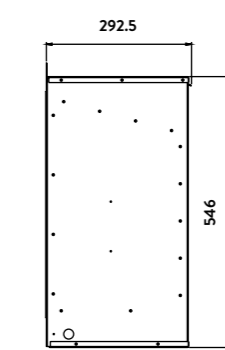
Fireslide control black



Remote control



Luminaire electric underbed glow



Inspire 500



Product features and benefits

- Max heat output 4.0kW
- Min heat output 1.8kW
- 80% efficiency
- Remote or Fireslide control
- Advanced burner technology
- Radiant & convected heat
- Can be fitted into wall or as part of suite
- Choice of liner & trim options
- Frameless kit available
- Choice of oak or rustic logs
- Natural Gas. LPG option also available on Fireslide model
- Realistic flame picture
- Choice of standard or Clear Vision anti-reflective glass



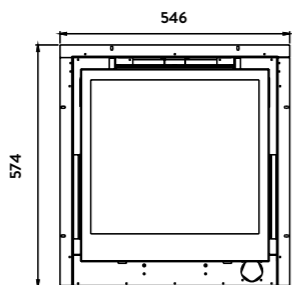
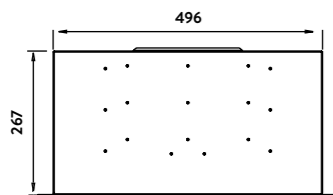
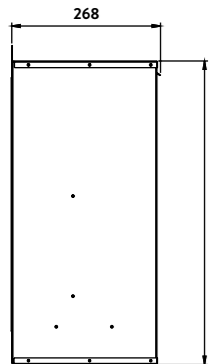
Advanced burner technology



Fireslide control chrome



Remote control



Inspire 500 Fireslide with edge trim in brushed chrome, mirrored glass liner and rustic logs



Inspire 500 Remote Palermo suite with frameless kit, vermiculite liner and rustic logs

Inspire 500 Palermo Suite



Product features and benefits

- 44" Portuguese limestone suite
- Max heat output 4.0kW
- Min heat output 1.8kW
- 80% efficiency
- Remote or Fireslide control
- Advanced burner technology
- Radiant & convected heat
- Choice of liner & trim options
- Frameless kit available
- Choice of oak or rustic logs
- Natural Gas. LPG option also available on Fireslide model
- Realistic flame picture
- Choice of standard or Clear Vision anti-reflective glass



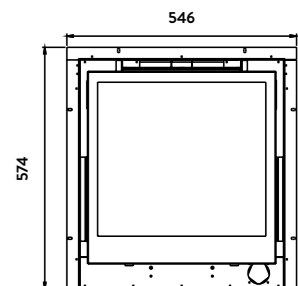
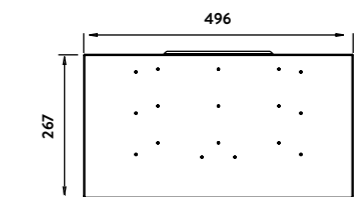
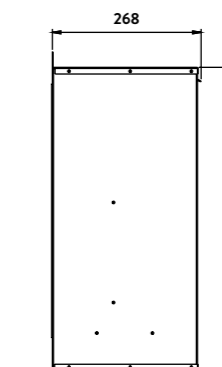
Advanced burner technology



Fireslide control black



Remote control



Inspire 500 Vicenza Suite



Product features and benefits

- 45" Portuguese limestone suite
- Max heat output 4.0kW
- Min heat output 1.8kW
- 80% efficiency
- Remote or Fireslide control
- Advanced burner technology
- Radiant & convected heat
- Choice of liner & trim options
- Frameless kit available
- Choice of oak or rustic logs
- Natural Gas. LPG option also available on Fireslide model
- Realistic flame picture
- Choice of standard or Clear Vision anti-reflective glass



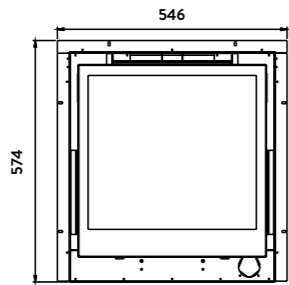
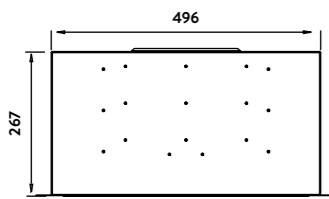
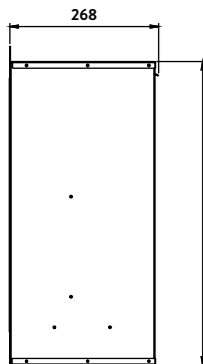
Advanced burner technology



Fireslide control chrome



Remote control



Inspire 500 Remote Vicenza suite with edge trim in black, black liner and rustic logs



Inspire 600 Fireslide with edge trim in chrome, mirrored glass liner and oak logs



Inspire 600



Product features and benefits

- Max heat output 4.0kW
- Min heat output 1.5kW
- 75% efficiency
- Remote or Fireslide control
- Dual burner technology allows for one or two burners to be lit depending on whether you want a gentle or 'roaring' flame
- Can be fitted into wall or as part of suite
- Radiant & convected heat
- Choice of liner & trim options
- Frameless kit available
- Choice of oak or rustic logs
- Natural gas
- Realistic flame picture
- Choice of standard or Clear Vision anti-reflective glass



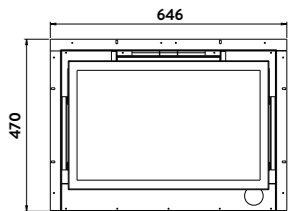
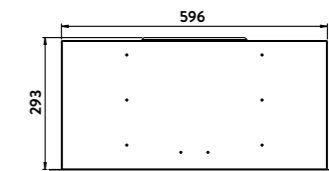
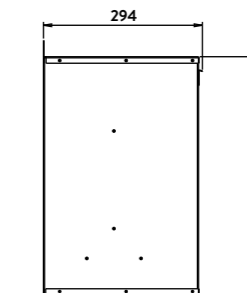
Dual burner technology for gentle or 'roaring' flames



Fireslide control black



Remote control



Inspire 600 Napoli Suite



Product features and benefits

- 48" Portuguese limestone suite
- Max heat output 4.0kW
- Min heat output 1.5kW
- 75% efficiency
- Remote or Fireslide control
- Dual burner technology allows for one or two burners to be lit depending on whether you want a gentle or 'roaring' flame
- Radiant & convected heat
- Choice of liner & trim options
- Frameless kit available
- Choice of oak or rustic logs
- Natural gas
- Realistic flame picture
- Choice of standard or Clear Vision anti-reflective glass



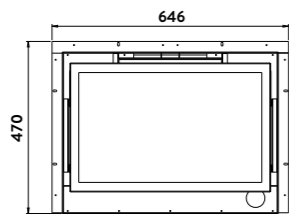
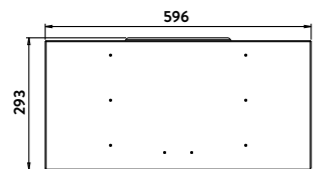
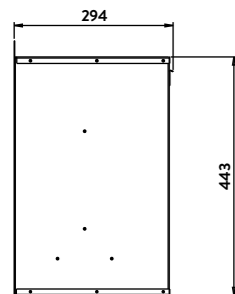
Dual burner technology for gentle or 'roaring' flames



Fireslide control chrome



Remote control



Inspire 600 Remote Napoli suite with frameless kit, vermiculite liner and oak logs



Inspire 600 Remote Verona suite with edge trim in black, brick liner and oak logs

Inspire 600 Verona Suite



Product features and benefits

- 48" Portuguese limestone suite
- Max heat output 4.0kW
- Min heat output 1.5kW
- 75% efficiency
- Remote or Fireslide control
- Dual burner technology allows for one or two burners to be lit depending on whether you want a gentle or 'roaring' flame
- Radiant & convected heat
- Choice of liner & trim options
- Frameless kit available
- Choice of oak or rustic logs
- Natural gas
- Realistic flame picture
- Choice of standard or Clear Vision anti-reflective glass



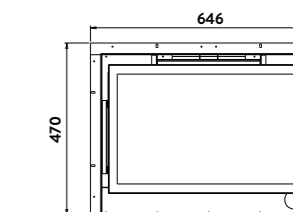
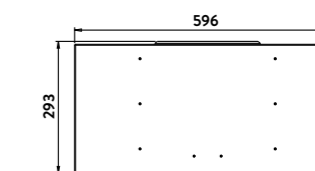
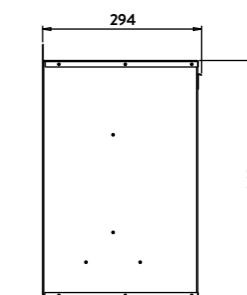
Dual burner technology for gentle or 'roaring' flames



Fireslide control black



Remote control



Inspire 800



Product features and benefits

- Max heat output 4.6kW
- Min heat output 1.6kW
- 80% efficiency
- Remote or Fireslide control
- Dual burner technology allows for one or two burners to be lit depending on whether you want a gentle or 'roaring' flame
- Radiant & convected heat
- Can be fitted into wall or as part of suite
- Choice of liner & trim options
- Frameless kit available
- Choice of oak or rustic logs
- Natural gas
- Realistic flame picture
- Choice of standard or Clear Vision anti-reflective glass



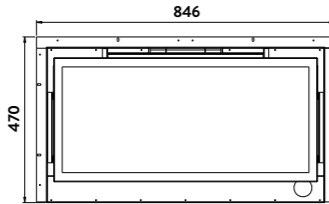
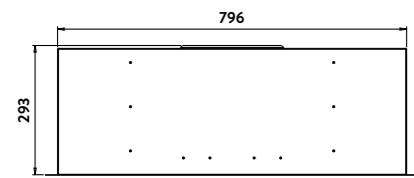
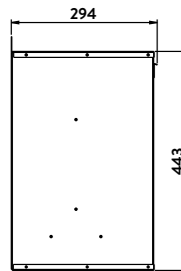
Dual burner technology for gentle or 'roaring' flames



Fireslide control chrome



Remote control



Inspire 800 Fireslide with edge trim in brushed chrome, vermiculite liner and oak logs



Inspire 800 Remote Abruzzo suite with frameless kit, black liner and oak logs

Inspire 800 Abruzzo Suite



Product features and benefits

- 54" Portuguese limestone suite
- Max heat output 4.6kW
- Min heat output 1.6kW
- 80% efficiency
- Remote or Fireslide control
- Dual burner technology allows for one or two burners to be lit depending on whether you want a gentle or 'roaring' flame
- Radiant & convected heat
- Choice of liner & trim options
- Frameless kit available
- Choice of oak or rustic logs
- Natural gas
- Realistic flame picture
- Choice of standard or Clear Vision anti-reflective glass



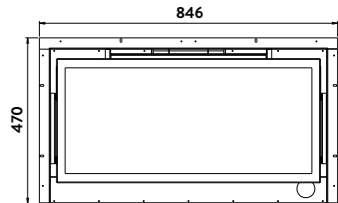
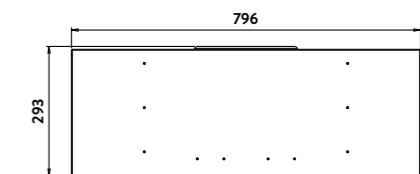
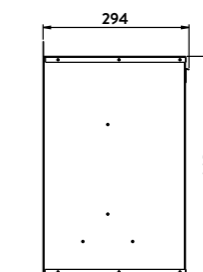
Dual burner technology for gentle or 'roaring' flames



Fireslide control black



Remote control



Inspire 800 Messina Suite



Product features and benefits

- 56" Portuguese limestone suite
- Max heat output 4.6kW
- Min heat output 1.6kW
- 80% efficiency
- Remote or Fireslide control
- Dual burner technology allows for one or two burners to be lit depending on whether you want a gentle or 'roaring' flame
- Radiant & convected heat
- Choice of liner & trim options
- Frameless kit available
- Choice of oak or rustic logs
- Natural gas
- Realistic flame picture
- Choice of standard or Clear Vision anti-reflective glass



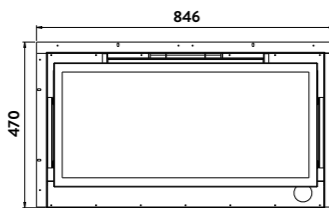
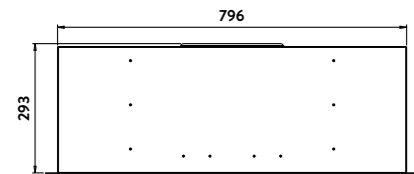
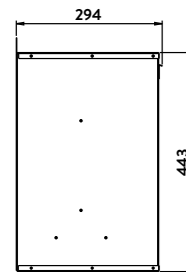
Dual burner technology for gentle or 'roaring' flames



Fireslide control chrome



Remote control



Inspire 800 Remote Messina suite with frameless kit, vermiculite liner and oak logs



Inspire 1000 Fireslide with edge trim in anthracite, mirrored glass liner and oak logs

Inspire 1000 Fireslide



Product features and benefits

- Max heat output 4.9kW
- Min heat output 1.9kW - Fireslide model
- 78% efficiency
- Remote or Fireslide control
- Dual burner technology allows for one or two burners to be lit depending on whether you want a gentle or 'roaring' flame
- Radiant & convected heat
- Can be fitted into wall or as part of suite
- Choice of liner & trim options
- Frameless kit available
- Choice of oak or rustic logs
- Natural gas
- Realistic flame picture
- Choice of standard or Clear Vision anti-reflective glass



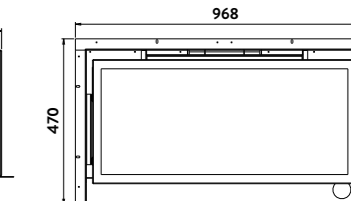
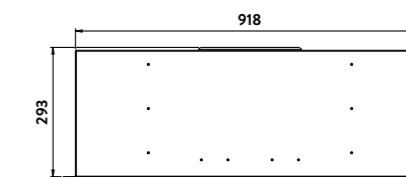
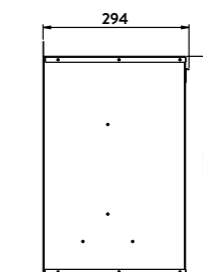
Dual burner technology for gentle or 'roaring' flames



Fireslide control black



Remote control



Inspire 1000 Remote



Product features and benefits

- Max heat output 4.9kW
- Min heat output 1.7kW - Remote model
- 78% efficiency
- Remote or Fireslide control
- Dual burner technology allows for one or two burners to be lit depending on whether you want a gentle or 'roaring' flame
- Radiant & convected heat
- Can be fitted into wall or as part of suite
- Choice of liner & trim options
- Frameless kit available
- Choice of oak or rustic logs
- Natural gas
- Realistic flame picture
- Choice of standard or Clear Vision anti-reflective glass



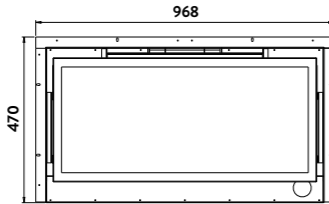
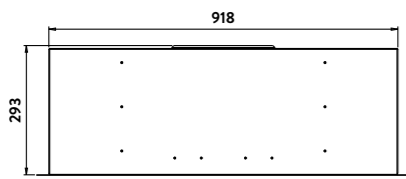
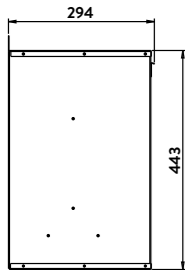
Dual burner technology for gentle or 'roaring' flames



Fireslide control chrome



Remote control



Inspire 1000 Remote with frameless kit, vermiculite liner and oak logs

Design Versatility - Your Choices

Trim Options

Edge Trims



Anthracite



Black



Brushed Chrome



Chrome

Grande Trims



Anthracite



Black



Brushed Chrome



Chrome

Frameless Kit



Black only

Note: Inspire 400 models comes with a choice of a 3-sided or 4-sided trim available in the above designs and colour finishes. Inspire 400 stoves do not require a trim, as they come complete with stove casing.

Note: Frameless kit available on 500, 600, 800 and 1000

Liner Options



Black Liner



Vermiculite Liner



Mirrored Glass Liner



Slate Liner*



Brick Liner*

Note: All Inspire 400 models & stoves are only available with a choice of black, mirrored glass & vermiculite liners
*While stocks last

Glass Options

Choose from standard or Clear Vision anti-reflective glass. Anti-reflective glass offers crystal clear transparency. It reduces reflections to just a fraction of those seen with conventional glass.



Standard



Clear Vision anti-reflective

Control Options

Remote

This premium control offers a host of features including on/off, flame settings & output control and a host of operation modes including thermostatic, eco and programme modes, and child proof mode for extra piece of mind.

Inspire 400 including stoves



Inspire 500, 600, 800 and 1000



Fireslide

A first of its kind for premium gas fires, Fireslide lets you easily adjust the flame output with a simple slide control. All Fireslide models come with both chrome and black handle as standard.



Fireslide control - Inspire 400, Stove L & Stove M



Fireslide control - Inspire 500, 600, 800 & 1000

Burners Explained

Luminaire LED Burner (Inspire 400, Stove L and Stove M)

The Luminaire LED technology provides an electric underbed glow, creating the illusion of burning embers for a warming glow that can be enjoyed with or without heat. It also features advanced burner technology which provides an unbeatable 'camp-fire' flame picture (see pictures).



Setting 1 - Low



Setting 2 - Medium



Setting 3 - High



Luminaire - under-bed glow

Single Burner (500 models only)

The Inspire 500 models are fitted with an advanced burner, which offers a realistic flame picture and glow.



Setting 1 - Low



Setting 2 - Medium



Setting 3 - High

Dual Burner (600, 800 & 1000 models only)

The Inspire 'Dual' burner is divided into three sections which allows the front burner to be lit on low (setting 1) or on medium (setting 2) and also enables both burners to be on full (setting 3).



Setting 1 - Low



Setting 2 - Medium



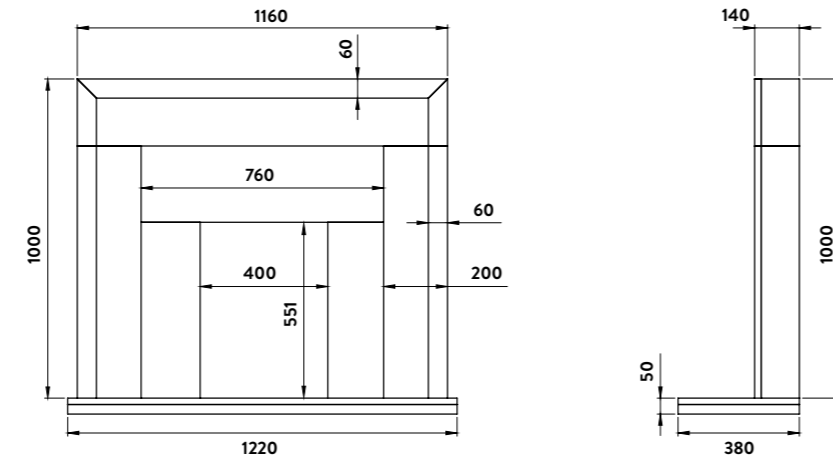
Setting 3 - High

Surround Dimensions

Surrounds Care

The surrounds featured in this brochure are made from beautiful materials naturally formed over millions of years, they have very individual features and characteristics encapsulated within them. From inside the raging furnaces of a cooling world there are the close up flowing swirls and veins of the molten rocks and from the crashing shores of oceans long ago, there are the shells and fossils nestled among the silt and shingle of ebbing tides.

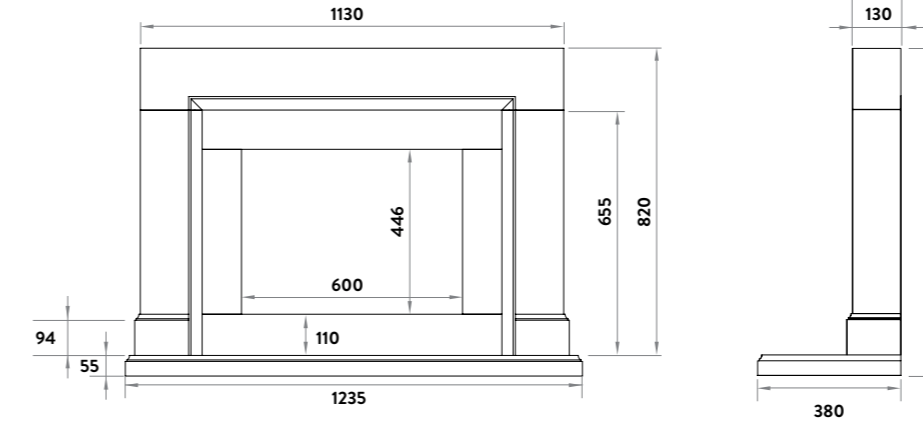
Your fireplace should be protected from staining. In the event of an accident soak up any spillage immediately. Where staining has occurred, use a specialist stone cleaning and resealing kit, following the instructions given by Valor. Before cleaning, turn off the fire and allow to cool beforehand. Dust down regularly with a soft clean brush and occasionally wipe over with a damp cloth.



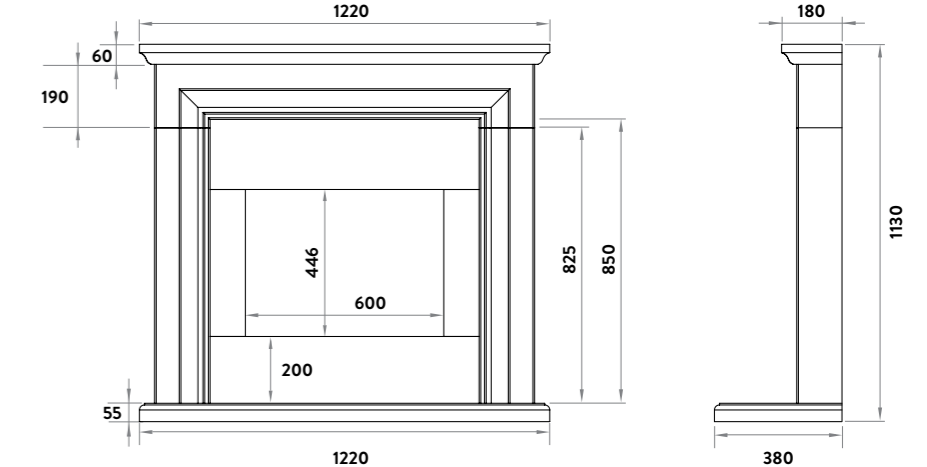
Inspire 400 Atalanta Suite

Note: The Inspire 400 gas fire can only be hearth mounted with the Atalanta suite

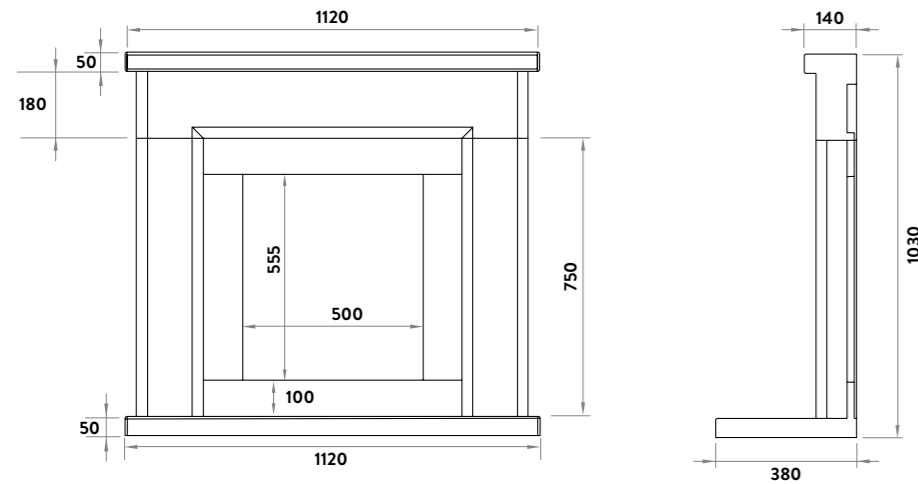
Surround Dimensions



Inspire 600 Napoli Suite

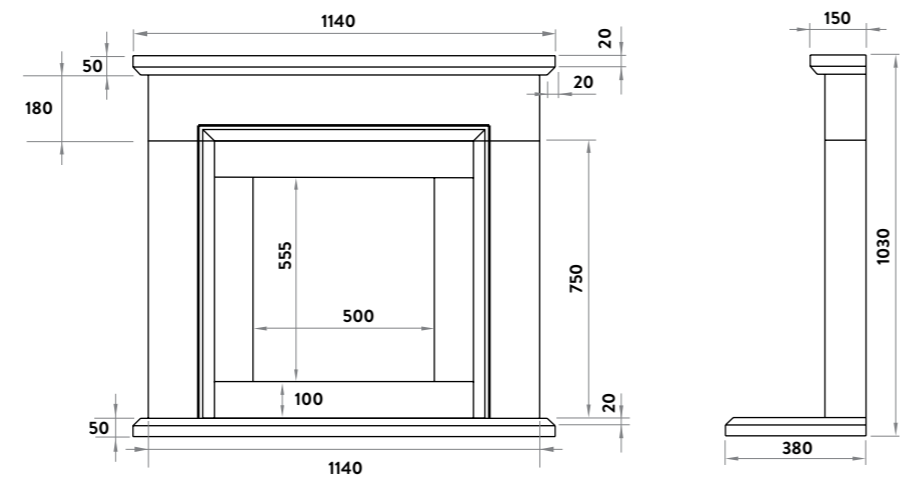


Inspire 600 Verona Suite



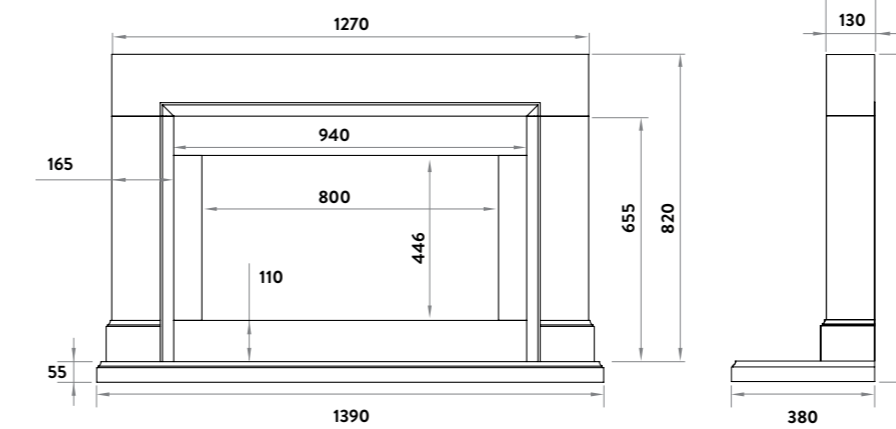
Inspire 400/500 Palermo Suite

Note: When fitting an Inspire 400 model with the Palermo suite the fireplace opening dimensions are: H: 555 W:400

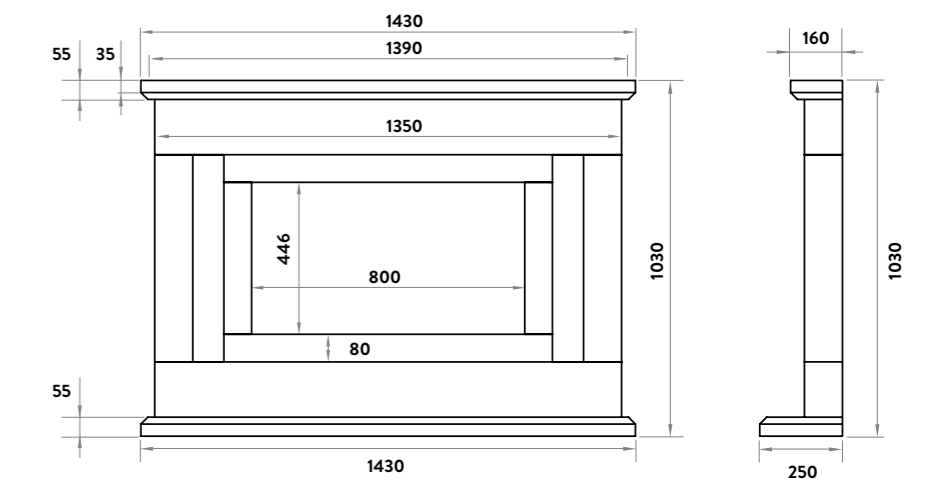


Inspire 400/500 Vicenza Suite

Note: When fitting an Inspire 400 model with the Vicenza suite the fireplace opening dimensions are: H: 555 W:400



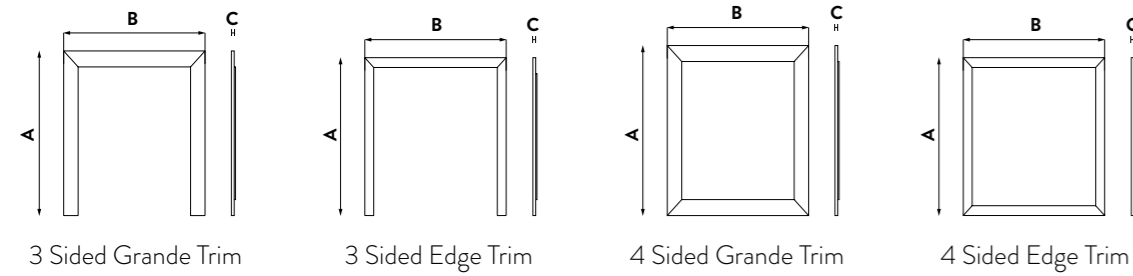
Inspire 800 Abruzzo Suite



Inspire 800 Messina Suite

Trim Dimensions

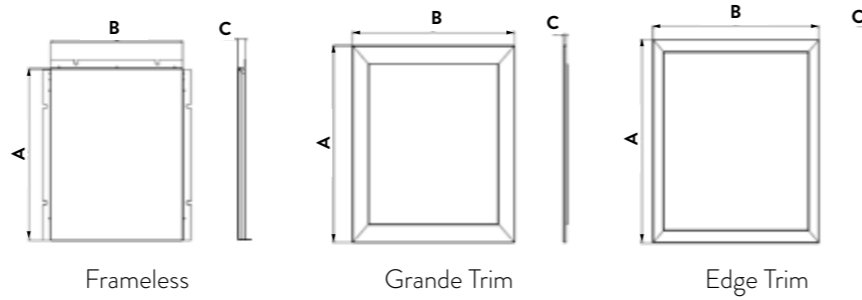
Inspire 400 model



Dimension	400FS/400RC Grande Trim	400FS/400RC Edge Trim	400FS/400RC Grande Trim	400FS/400RC Edge Trim
A	604mm	581mm	627mm	582mm
B	501mm	456mm	501mm	456mm
C	10mm	10mm	10mm	10mm

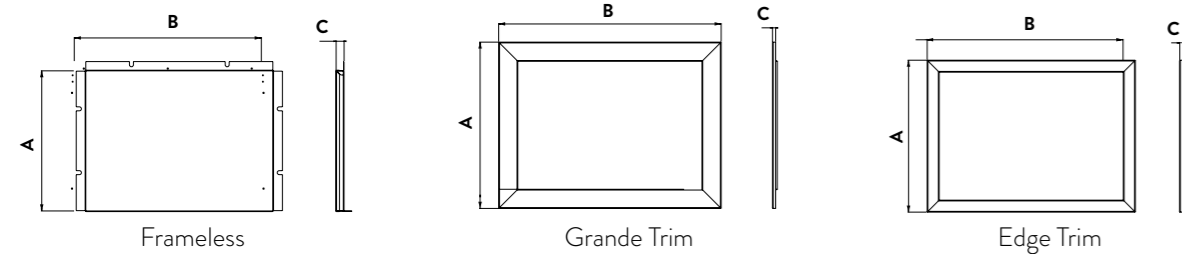
Note: The frameless kit option is not available on the Inspire 400 model

Inspire 500 model



Dimension	500FS/500RC Frameless	500FS/500RC Grande Trim	500FS/500RC Edge Trim
A	545mm	627mm	582mm
B	486mm	597mm	552mm
C	25mm	10mm	10mm

Inspire 600, 800 & 1000 Models

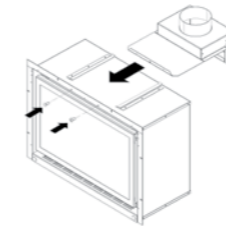


Dimension	600FS/600RC Frameless	800FS/800RC Frameless	1000FS/1000RC Frameless	600FS/600RC Grande Trim	800FS/800RC Grande Trim	1000FS/1000RC Grande Trim	600FS/600RC Edge Trim	800FS/800RC Edge Trim	1000FS/1000RC Edge Trim
A	443mm	443mm	443mm	521mm	521mm	521mm	476mm	476mm	476mm
B	590mm	790mm	912mm	697mm	897mm	1019mm	652mm	852mm	974mm
C	25mm	25mm	25mm	10mm	10mm	10mm	10mm	10mm	10mm

Technical Chart

Inspire	Heat Output		Heat Input		Net Efficiency	Control	Fireplace Openings						Installation Options	Product Dimensions		
	Min	Max	Min	Max			Height		Width		Depth			H	W	D
Stove M Fireslide	1.2kW	4.0kW	1.6kW	5.3kW	84.5%	Fireslide	920mm*	945mm*	625mm*	650mm*	450mm*	475mm*	Hearth	863mm	525mm	397mm
Stove M Remote	2.1kW	4.0kW	2.5kW	5.3kW	84.5%	Remote	920mm*	945mm*	625mm*	650mm*	450mm*	475mm*	Hearth	863mm	525mm	397mm
Stove L Fireslide	1.2kW	4.0kW	1.6kW	5.3kW	84.5%	Fireslide	1085mm*	1110mm*	625mm*	650mm*	450mm*	475mm*	Hearth	1035mm	525mm	397mm
Stove L Remote	2.1kW	4.0kW	2.5kW	5.3kW	84.5%	Remote	1085mm*	1110mm*	625mm*	650mm*	450mm*	475mm*	Hearth	1035mm	525mm	397mm
400 Fireslide	1.2kW	4.0kW	1.6kW	5.3kW	84.5%	Fireslide	556mm	566mm	400mm	435mm	340mm	-	Wall mounted or Hearth	574mm	446mm	292mm
400 Remote	2.1kW	4.0kW	2.5kW	5.3kW	84.5%	Remote	556mm	566mm	400mm	435mm	340mm	-	Wall mounted or Hearth	574mm	446mm	292mm
500 Fireslide	1.8kW	4.0kW	2.7kW	5.55kW	80%	Fireslide	556mm	566mm	500mm	535mm	315mm	-	Wall mounted or Hearth	574mm	546mm	267mm
500 Remote	1.8kW	4.0kW	3.0kW	5.55kW	80%	Remote	556mm	566mm	500mm	535mm	315mm	-	Wall mounted or Hearth	574mm	546mm	267mm
600 Fireslide	1.5kW	4.0kW	2.4kW	6.0kW	75%	Fireslide	450mm	460mm	600mm	635mm	340mm	-	Wall mounted or Hearth	470mm	646mm	293mm
600 Remote	1.5kW	4.0kW	2.4kW	6.0kW	75%	Remote	450mm	460mm	600mm	635mm	340mm	-	Wall mounted or Hearth	470mm	646mm	293mm
800 Fireslide	1.6kW	4.6kW	2.4kW	6.4kW	80%	Fireslide	450mm	460mm	800mm	835mm	340mm	-	Wall mounted or Hearth	470mm	846mm	293mm
800 Remote	1.6kW	4.6kW	2.4kW	6.4kW	80%	Remote	450mm	460mm	800mm	835mm	340mm	-	Wall mounted or Hearth	470mm	846mm	293mm
1000 Fireslide	1.9kW	4.9kW	2.8kW	6.95kW	79%	Fireslide	450mm	460mm	922mm	957mm	340mm	-	Wall mounted or Hearth	470mm	968mm	293mm
1000 Remote	1.7kW	4.9kW	2.5kW	6.95kW	79%	Remote	450mm	460mm	922mm	957mm	340mm	-	Wall mounted or Hearth	470mm	968mm	293mm

Important Notice: All dimensions stated within the specification table are intended as guidance only. Please consult installation instructions before commencing any building work. The right to change specification without prior notice is reserved. No liability is accepted for problems caused by poor installation or misuse of product. * These are Inspire Stove appliance dimensions allowing for clearances into a non combustable fireplace opening.



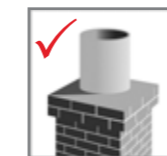
Gather Hood Connector Kits

For added flexibility of installation, all models (excluding stoves), come with the option of a gather hood connector kit, designed exclusively for the Inspire collection, which allows the fire to connect to a flexible flue system. For gas fires for other chimney types, please visit our website www.valor.co.uk

Product Code	Description
061621	Gather Hood Connector Kit - 500
061638	Gather Hood Connector Kit - 400 & 600
061645	Gather Hood Connector Kit - 800 & 1000

Chimney Options

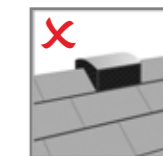
The Inspire range is only suitable for brick chimneys. For gas fires for other chimney types, please visit our website www.valor.co.uk



Brick Chimney (BC)
The classic brick built chimney is suitable for all gas fires.



Pre-fabricated Flue (PF)
Pre-fabricated chimneys are suitable for most gas fires dependent on flue depth and diameter.



Pre-cast Flue (PCF)
Pre-cast flues are found in most modern homes and are suitable for slimline gas fires.



No Chimney (NC)
No chimney or flue? Balanced flue gas fires are suitable in this case.

INSPIRE

COLLECTION



Valor is a Glen Dimplex Heating & Ventilation Brand
Millbrook House, Grange Drive, Hedge End, Southampton SO30 2DF

 0344 879 3588  www.valor.co.uk  @valorfires



All our products carry the CE Mark
complying with European Safety Standards.
Our products are made in accordance with Quality
Management System Standard ISO 9001



WEEE Producer Registration Number
WEE/GE0057TS
WEEE Distributor Take Back Scheme –
Registration ID: 6131

Terms & Conditions Valor's policy is one of continual improvement and development. The right to change specification without prior notice is reserved, therefore the actual product may change and so the image shown may not be an exact representation. All images within the brochure were correct at time of print. Reproduction of colours is as accurate as photographic processes will allow. Though accurate at the time of printing, this brochure is not intended to replace the installation manual which provides more detailed information. The statutory rights of the consumer are not affected. No liability will be accepted for problems caused by poor installation or misuse of the product.